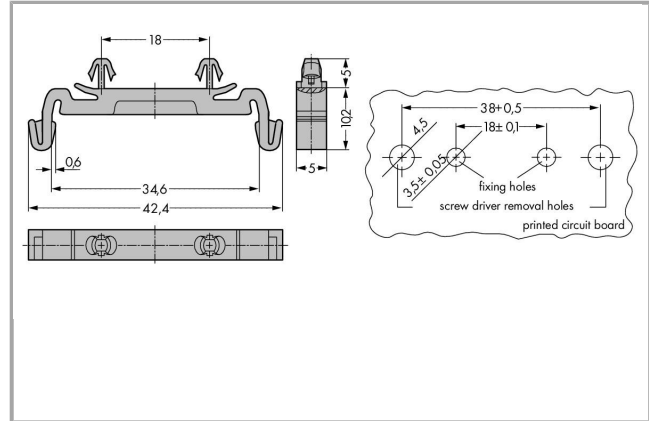


Data sheet | Item number: 209-188

Mounting foot; can be assembled on terminal blocks with fixing flange



209-188



RoHS Compliant

BOMcheck.net

Color:

Data

Geometrical Data

Width	5 mm / 0.197 inch
Height from upper-edge of DIN-35 rail	5.1 mm / 0.201 inch
Depth	42.4 mm / 1.669 inch

Material Data

Weight	0.96 g
--------	--------

Commercial data

Product Group	2 (Terminal Block Accessories)
Country of origin	DE
GTIN	4017332200998
Customs Tariff No.	39269097900

Downloads

CAD/CAE - Smart Data

CAD data

3D Download 209-188	URL	Download
---------------------	-----	----------



Subject to changes.
